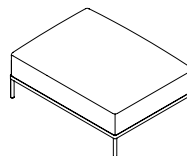


Noah Sofa

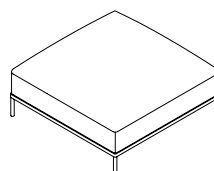
The Noah Sofa combines maximum flexibility with complete customizability. Based on just two sizes, the Noah Modules offer countless possibilities. Thanks to its modular design and plug-in system, assembly and reconfiguration are effortless and require no tools. Furthermore, each component can be repaired, exchanged and recycled, ensuring sustainability and low maintenance. The easy-to-clean fabric allows for quick stain removal with just a damp cloth. When needed, the covers can also be removed and machine washed. The Noah Sofa is manufactured in Germany using high-quality and durable materials and is shipped directly to you.

- **Maximum flexibility**
- **Complete customization**
- **Made in Germany**
- **Highest quality**
- **On-demand production**
- **Fast delivery**
- **Worldwide shipping**
- **Tool-free assembly**

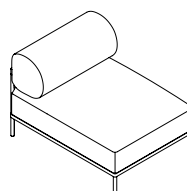
2D and 3D files for download on our “Professionals-Page” or on request.



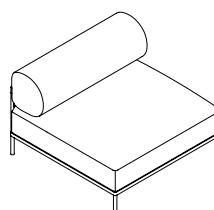
Module 70



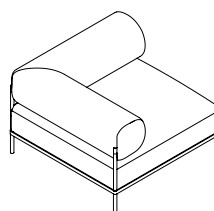
Module 95



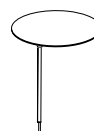
Single Seater 70



Single Seater 95



















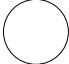

Corner Module 95

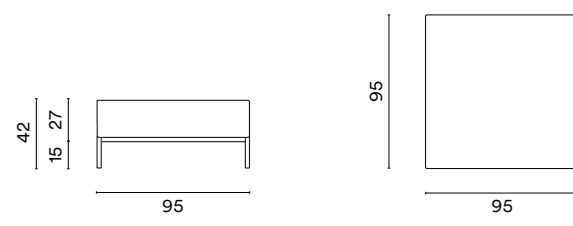
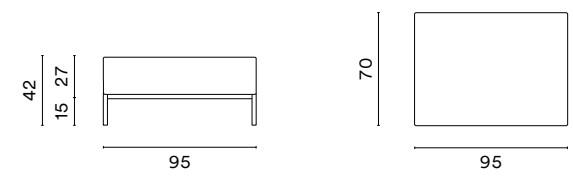
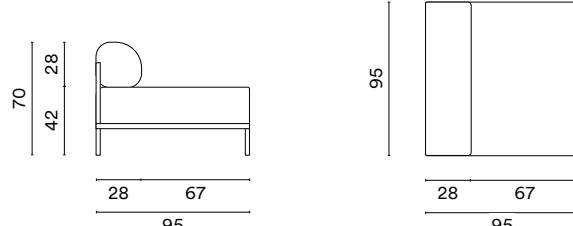
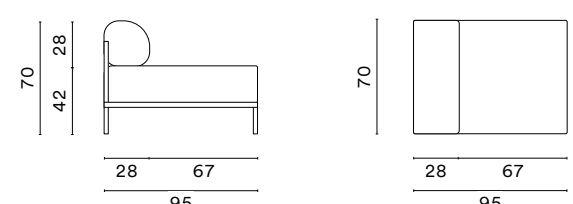
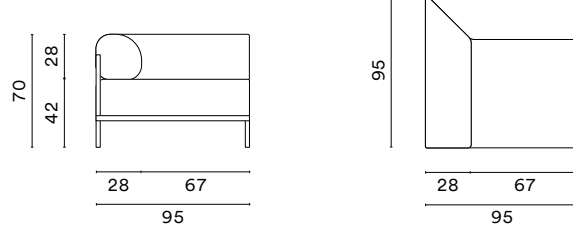
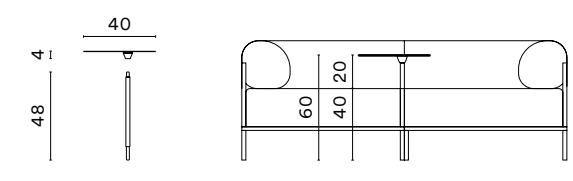


Sofa Table



noah

<p>Fabric Colors</p> <p>Gray </p> <p>Light Gray </p> <p>Cream White </p> <p>Sand </p> <p>Truffle </p> <p>Sage </p> <p>Soft Green </p> <p>Soft Rose </p> <p>Coral </p> <p>Red </p> <p>Sky Blue </p> <p>Ocean Blue </p> <p>Beige Brown </p> <p>Mustard Yellow </p>	<p>References</p> <p>Country of origin Germany</p> <p>Intended use Indoor</p> <p>Environment & Maintenance See documents on product page.</p> <p>Accessories Cushion, Sofa Table</p>
<p>Frame Colors</p> <p>Beige Red RAL 3012 </p> <p>Black RAL 9004 </p> <p>White RAL 9001 </p>	<p>Technical Specifications</p> <p>Fabric</p> <ul style="list-style-type: none"> · 100% Polyester, easy-to-clean, breathable, recyclable · Certificates: Oeko-Tex Standard 100, REACH · Weight: 653g/lm (+/-5%) · Abrasion resistance: > 90.000 Martindale · Pilling (1-6): 5 · Rub fastness (1-5): Dry 5/Wet 4 · Lightfastness (1-8): 5 · Flammability standards: EN 1021-1, CA Tech.Bull. 117:2013/NFPA 26, BS 5852 Part 1 (cigarette tests – pass) <p>Inner Materials</p> <ul style="list-style-type: none"> · Upholstery fleece: antibacterial, breathable · Foam: NATURALIS®, Oeko-Tex Standard Class 1, perfect body support, high volume weight · Wooden frame: Birch multiplex, FSC® certified · Base springs: mesh springs <p>Frame</p> <ul style="list-style-type: none"> · Steel: S235, powder coated · Glides: Felt glides are fitted as standard and are suitable for most floors. If needed, we offer different glides for different floors. <p>Customization</p> <p>The Noah Sofa can be customized upon request: Powder coated in any RAL color or upholstered in the fabric of your choice.</p> 

<p>Module 95</p> 	<p>Module 70</p> 
<p>Single Seater 95</p> 	<p>Single Seater 70</p> 
<p>Corner Module 95</p> 	<p>Sofa Table</p> 

Get inspired by some of our favorite setups

